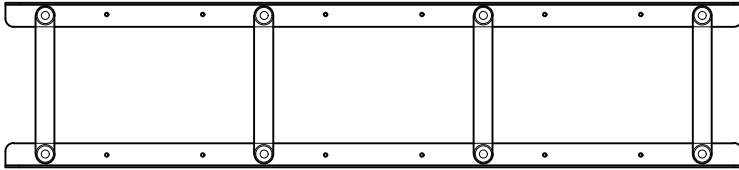


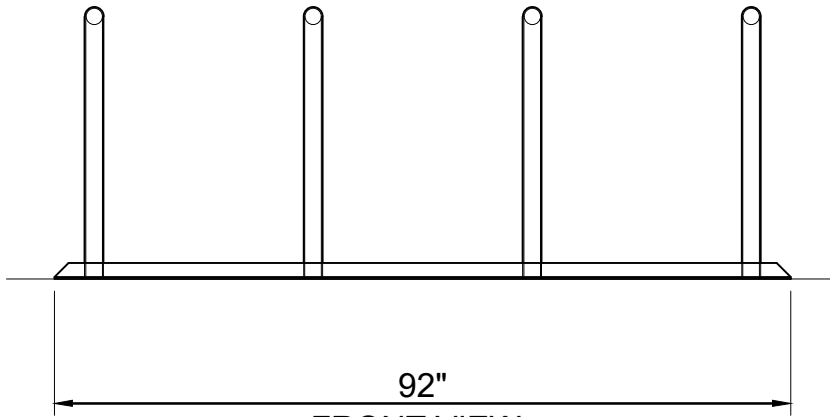
WASHINGTON STATE  
CORRECTIONAL INDUSTRIES  
WSP - METAL PLANT

6094 BIKE RACK

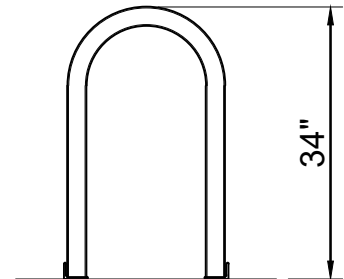
OWNER SUPPLIED,  
CONTRACTOR INSTALLED



TOP VIEW



FRONT VIEW



20" ±  
SIDE VIEW

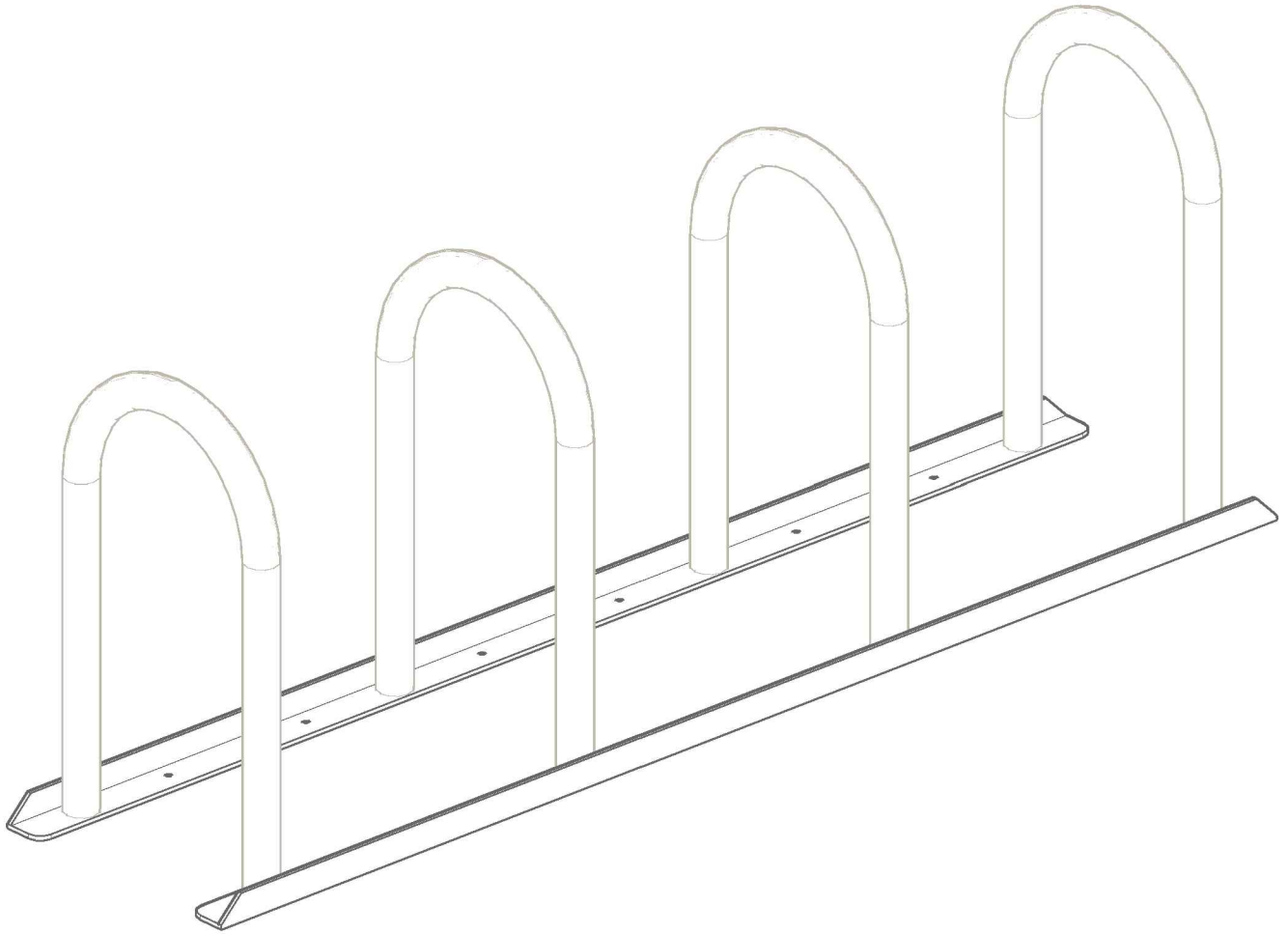
# BIKE RACK



Facilities Services  
Pullman, Wa. 99164-3611  
Main Office Ph 509-335-5571 Fax 509-335-6875

DETAIL NUMBER  
**L 32 33 13**  
DATE: 30 AUG 2016 REVISION NO.: 1

TYPE  
**01**  
1 OF 2



# BIKE RACK



Facilities Services  
 Pullman, Wa. 99164-3611  
 Main Office Ph 509-335-5571 Fax 509-335-6875

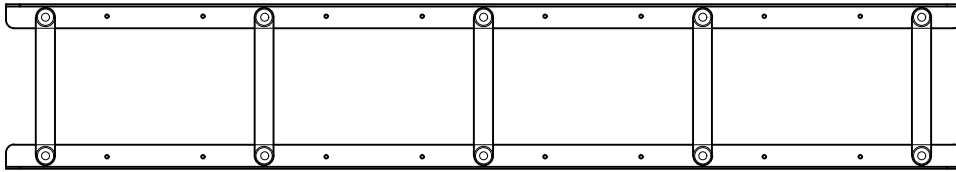
DETAIL NUMBER  
**L 32 33 13**  
 DATE: 30 AUG 2016 REVISION NO.: 1

TYPE  
**01A**  
 1 OF 2

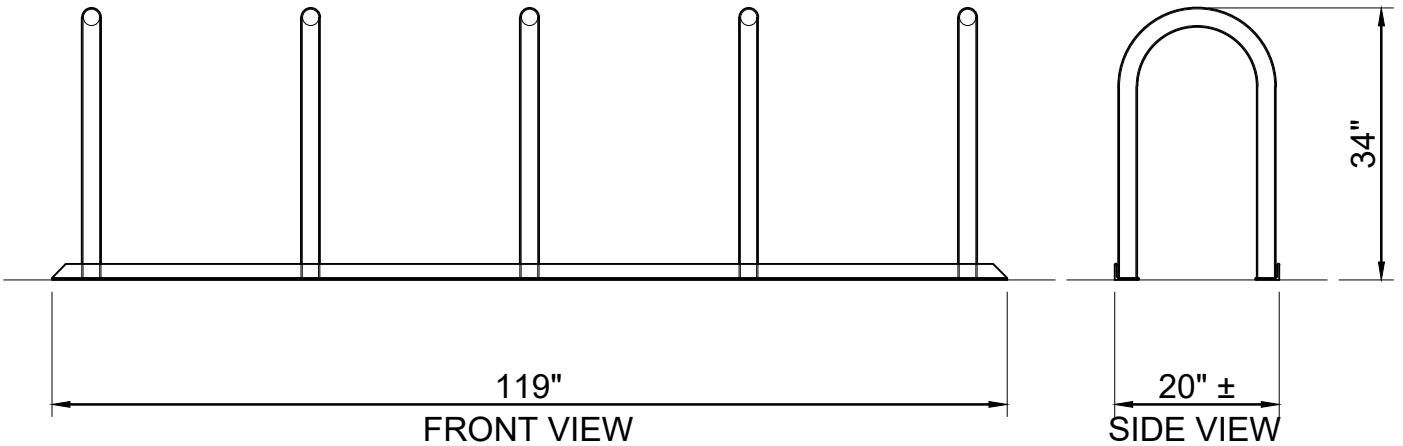
WASHINGTON STATE  
CORRECTIONAL INDUSTRIES  
WSP - METAL PLANT

6094A BIKE RACK x5

OWNER SUPPLIED,  
CONTRACTOR INSTALLED



TOP VIEW



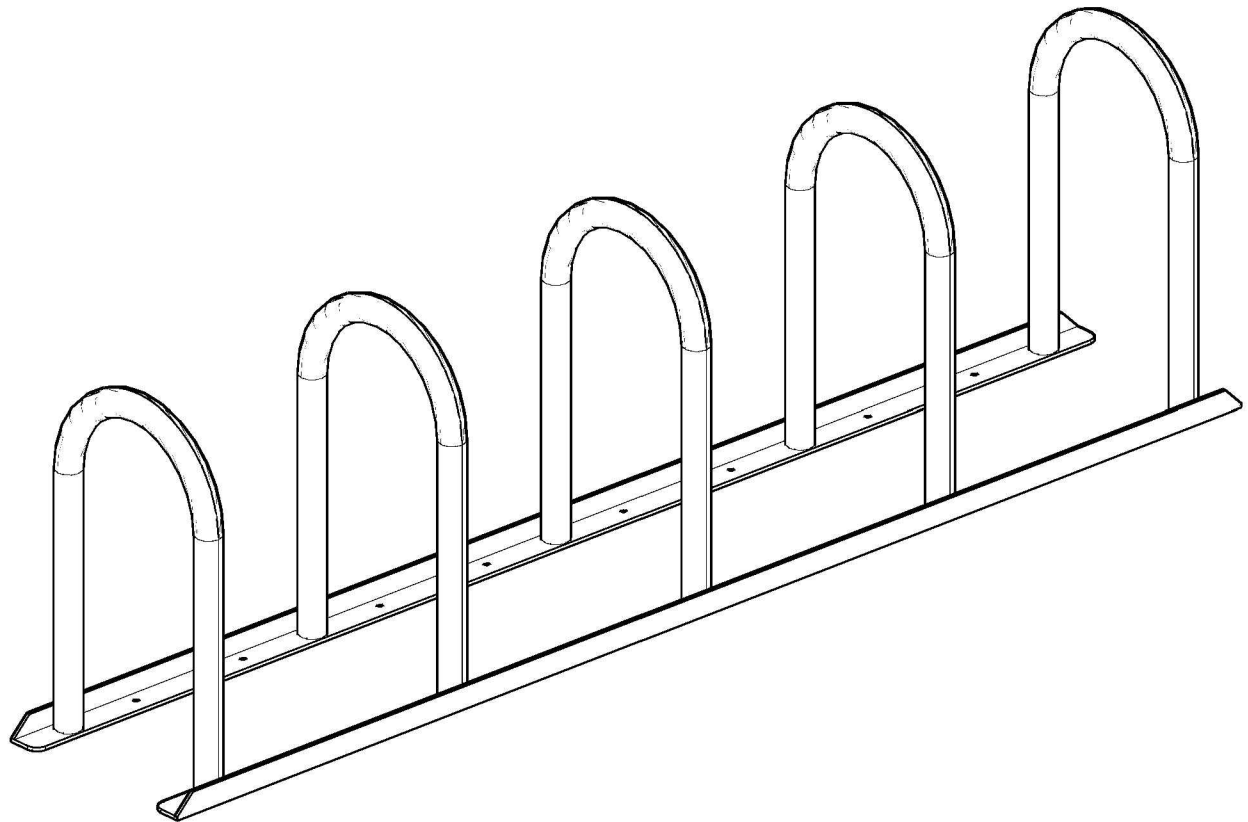
# BIKE RACK



Facilities Services  
Pullman, Wa. 99164-3611  
Main Office Ph 509-335-5571 Fax 509-335-6875

DETAIL NUMBER  
**L 32 33 13**  
DATE: 30 AUG 2016 REVISION NO.: 1

TYPE  
**02**  
1 OF 1



# BIKE RACK



Facilities Services  
Pullman, Wa. 99164-3611  
Main Office Ph 509-335-5571 Fax 509-335-6875

DETAIL NUMBER  
**L 32 33 13**  
DATE: 30 AUG 2016 REVISION NO.: 1

TYPE  
**02A**  
1 OF 1



MANUFACTURE: WASHINGTON STATE CORRECTIONAL INDUSTRIES - WSP METAL PLANT

STREET:

STATE:

ZIP CODE:

PHONE NUMBER:

WEB SITE:

MODEL NUMBER: 6094

MODEL NAME: BIKE RACK

	DIVISION:	LEVEL 01	LEVEL 02	LEVEL 03	LEVEL 04
CSI / MASTER FORMAT NUMBER:	DIVISION 32	32 33 00	32 33 13 (-01 & -02)	-	-
	EXTERIOR IMPROVEMENTS	SITE FURNISHINGS	SITE BICYCLE RACKS	-	-
		LEVEL 01	LEVEL 02	LEVEL 03	LEVEL 04
UNIFORMAT NUMBER:		G	G20	G2040	G204003
		BUILDING SITE WORK	SITE IMPROVEMENTS	SITE DEVELOPMENT	EXTERIOR FURNISHINGS
		LEVEL 01	LEVEL 02	LEVEL 03	LEVEL 04
OMNICLASS NUMBER - TABLE 21:		21-07 00 00	21-07 20 00	21-07 20 60	21-07 20 60 25
ELEMENTS		SITE WORK	SITE IMPROVEMENTS	SITE DEVELOPMENT	SITE FURNISHINGS
		LEVEL 01	LEVEL 02	LEVEL 03	LEVEL 04
OMNICLASS NUMBER - TABLE 22:		22-12 00 00	22-12 93 00	22-12 93 13	-
WORK RESULTS		FURNISHINGS	SITE FURNISHINGS	BICYCLE RACKS	-
		LEVEL 01	LEVEL 02	LEVEL 03	LEVEL 04
OMNICLASS NUMBER - TABLE 23:		23-11 00 00	23-11 29 00	23-11 29 11	23-11 29 11 11
PRODUCTS		SITE PRODUCTS	SITE FURNISHINGS	BICYCLE RACKS & SHELTERS	BICYCLE RACKS
		LEVEL 01	LEVEL 02	LEVEL 03	LEVEL 04
OMNICLASS NUMBER - TABLE 36:		36-51 00 00	36-51 75 00	36-51 75 15	36-51 75 15 11
INFORMATION		OFFICE RESOURCES	OFFICE MASTERS	OFFICE DRAWINGS	OFFICE DETAILS
		LEVEL 01	LEVEL 02	LEVEL 03	LEVEL 04
WSU 0700 NUMBER:		0712	0712G	-	-
		SITE DEVELOPMENT	SITE FURNISHINGS	-	-



Facilities Services  
 Pullman, Wa. 99164-3611  
 Main Office Ph 509-335-5571 Fax 509-335-6875

# DATA CONVERSION SHEET

DETAIL NUMBER

## L 32 33 13

TYPE

## 1&2

DATE: 30 AUG 2016

REVISION NO.: 1

1 OF 1