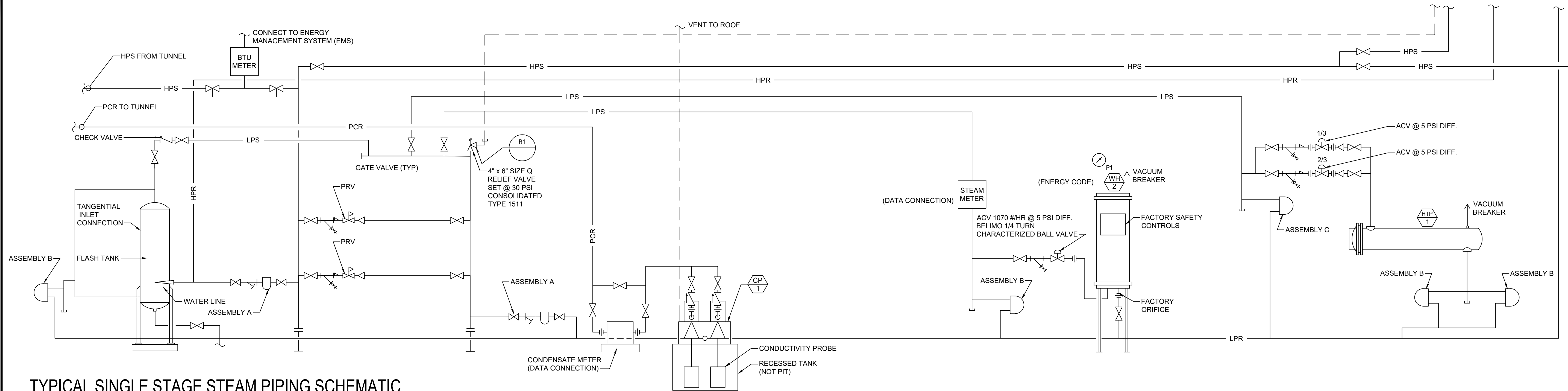


**LEGEND**

- HPS — HIGH PRESSURE STEAM (100#)
- MPS — MEDIUM PRESSURE STEAM (60#)
- LPS — LOW PRESSURE STEAM (15#)
- HPR — HIGH PRESSURE RETURN

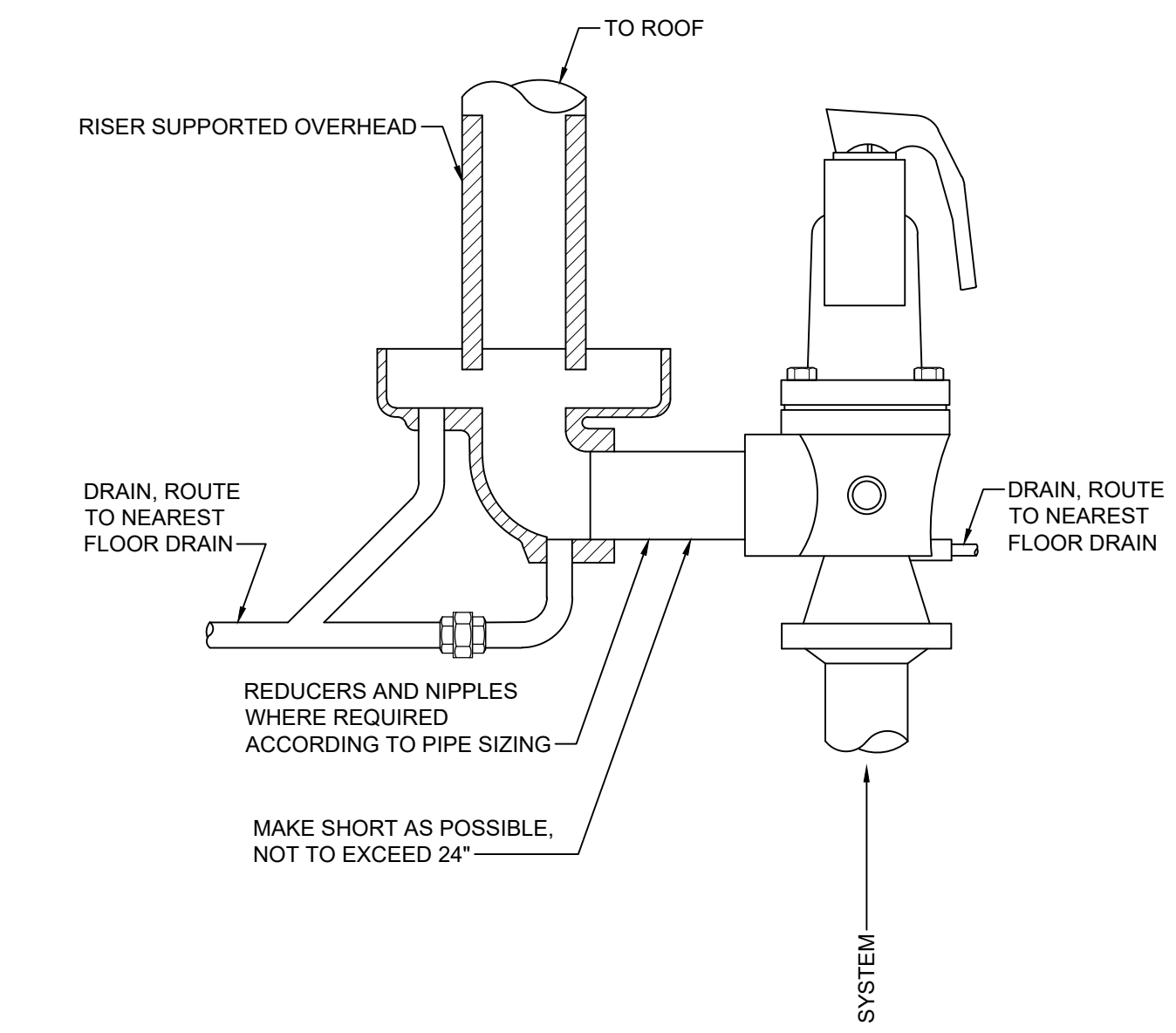
**GENERAL NOTES**

1. DO NOT MIX HIGH & LOW PRESSURE CONDENSATE IN SAME LINE.
2. INSULATE ALL SERVICEABLE FITTINGS WITH BLANKETS ATTACHED WITH VELCRO STRAPS.



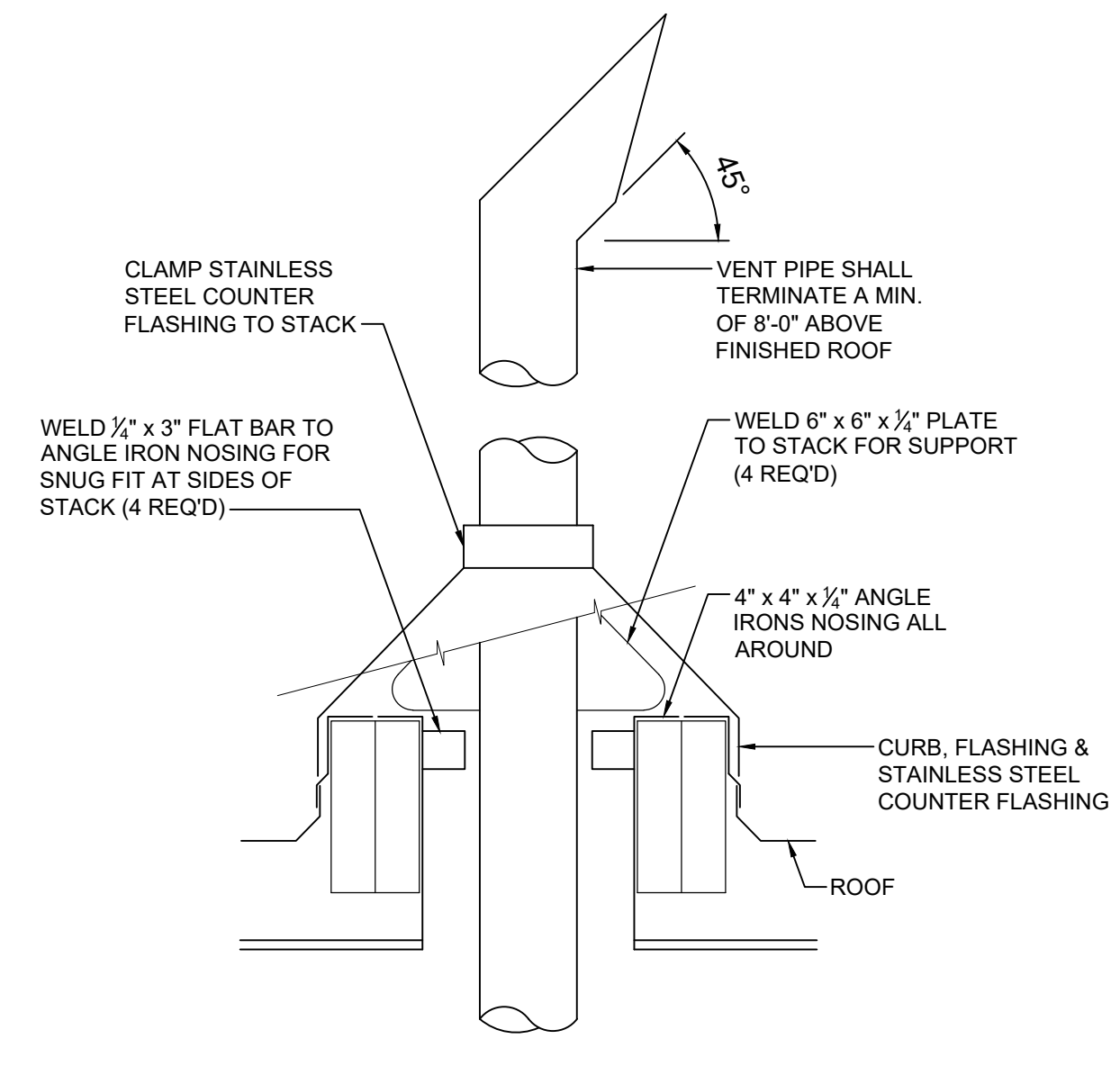
**TYPICAL SINGLE STAGE STEAM PIPING SCHEMATIC**

SCALE: NOT TO SCALE



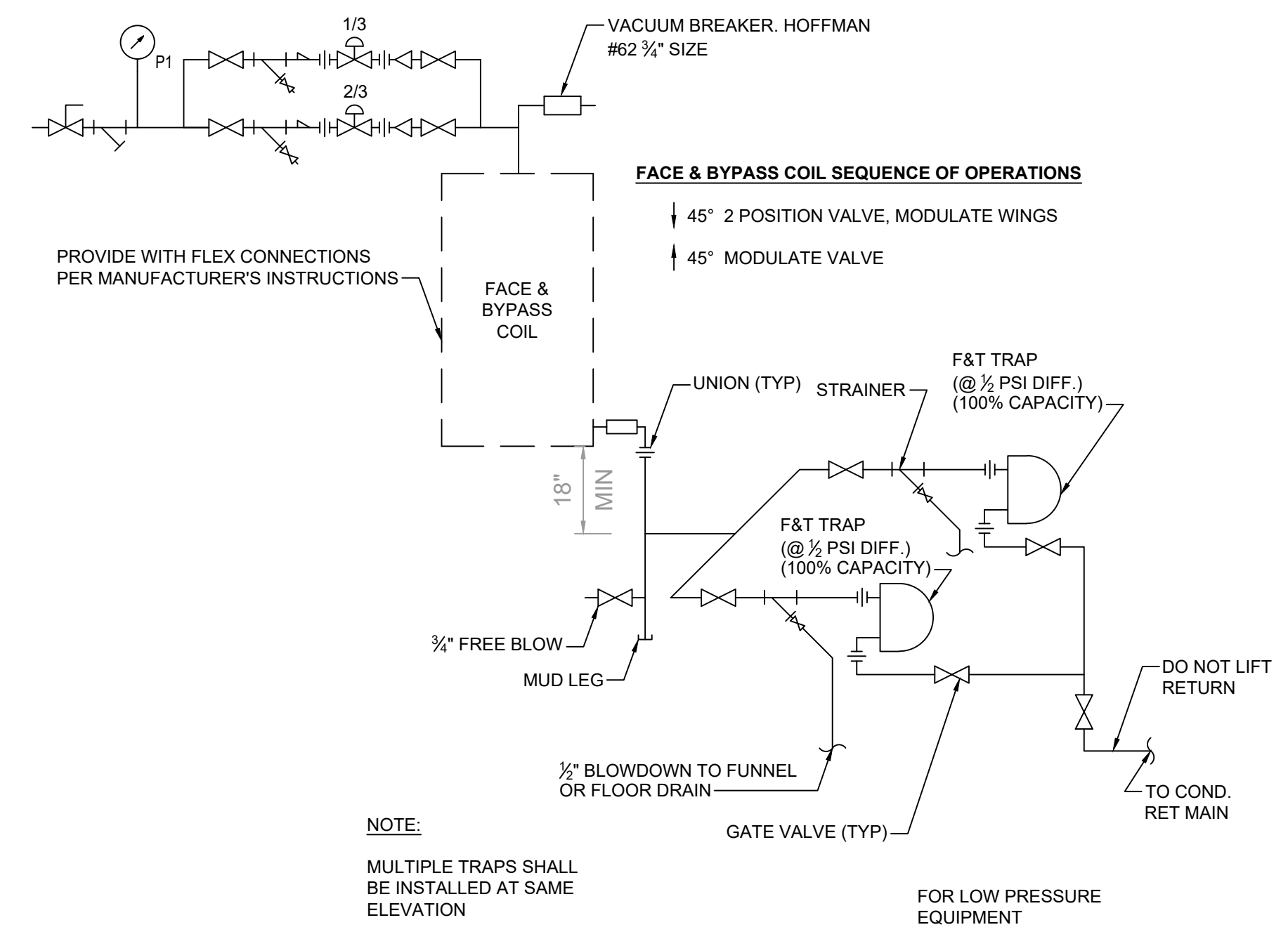
**DRIP PAN ELBOW**

SCALE: NOT TO SCALE



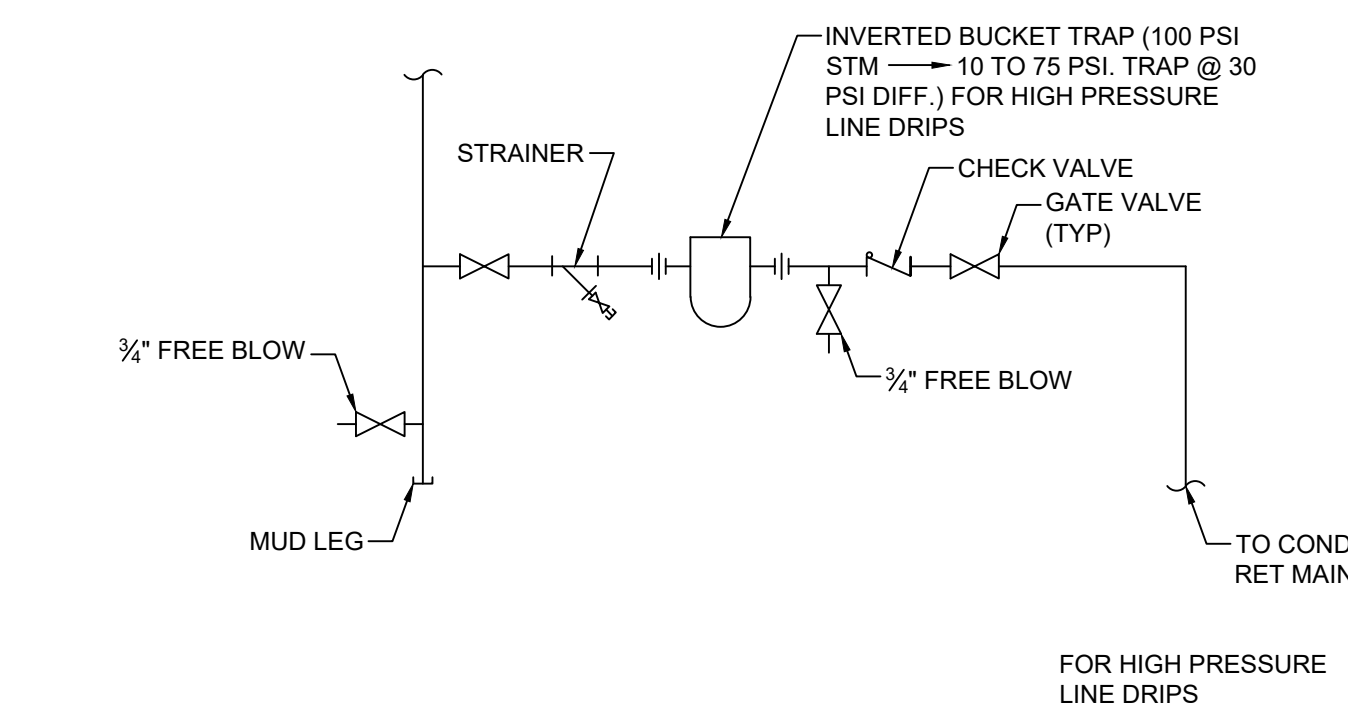
**STEAM RELIEF VENT**

SCALE: NOT TO SCALE



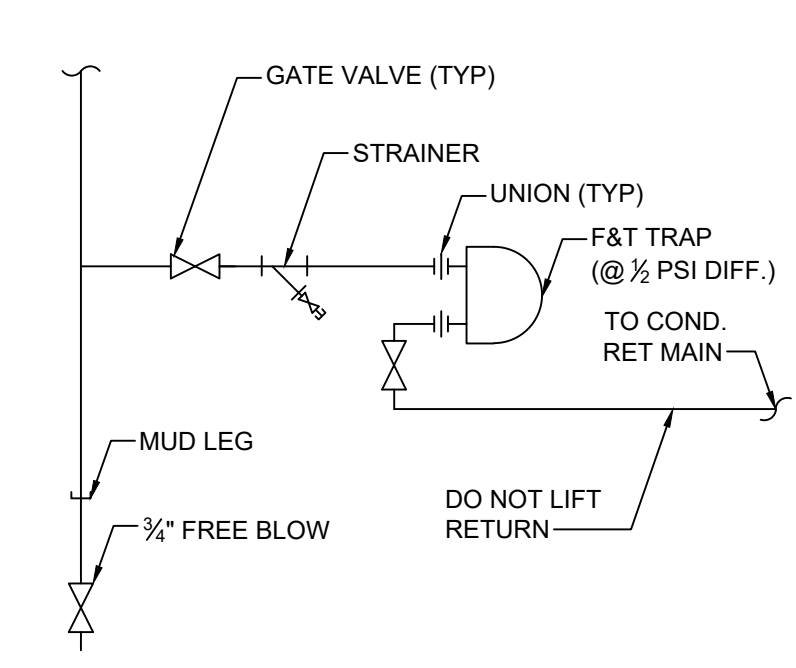
**ASSEMBLY C - 100% OSA STEAM COIL**

SCALE: NOT TO SCALE



**ASSEMBLY A - INVERTED BUCKET TRAP**

SCALE: NOT TO SCALE



**ASSEMBLY B - F & T STEAM TRAP**

SCALE: NOT TO SCALE

**TYPICAL STEAM PIPING DIAGRAMS AND DETAILS**