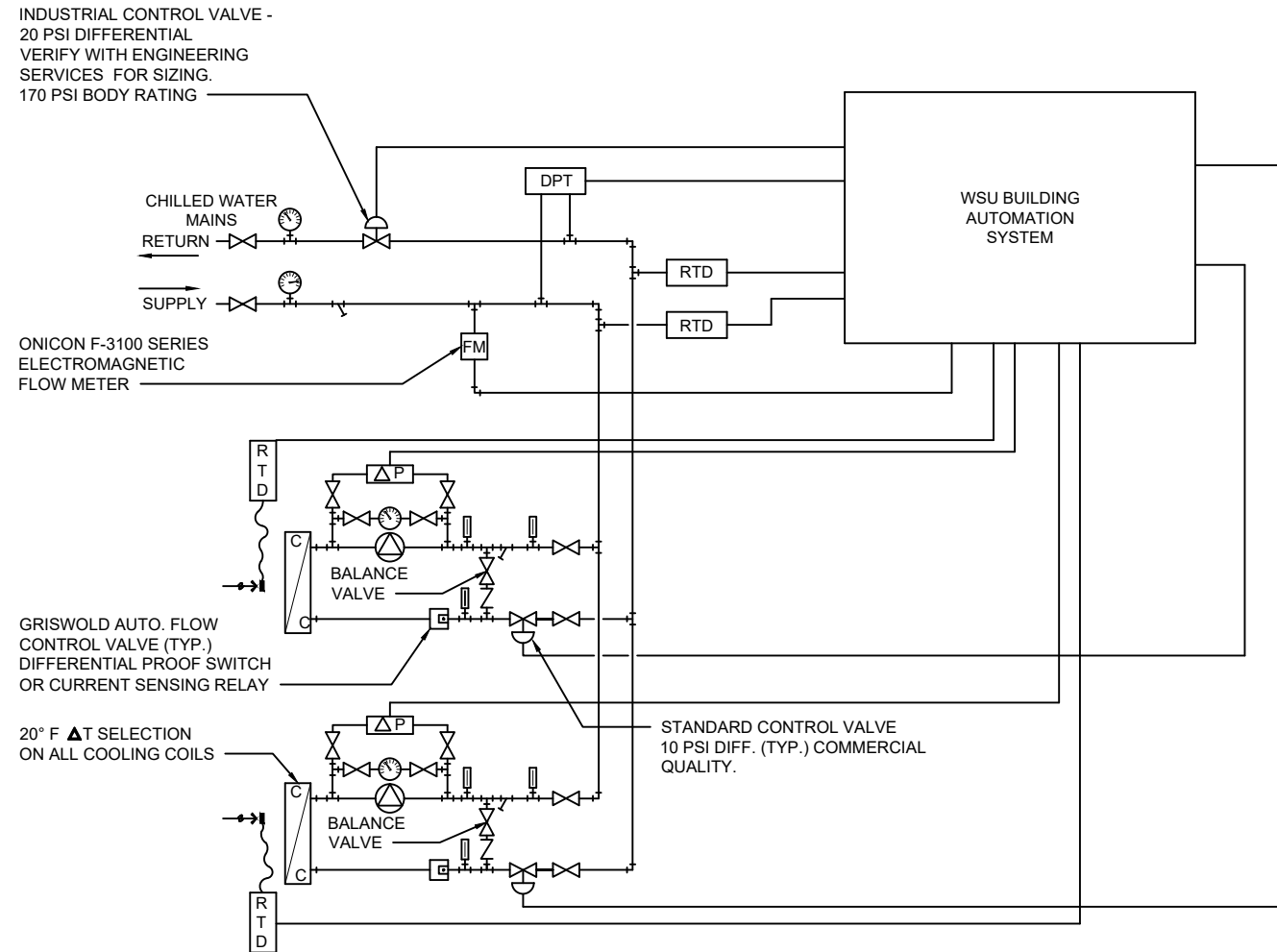


FILE: \\fss001\GIS\AutoCAD -Other Projects\Detail Drawings\M 33 60 00 T001.dwg PLOT DATE: October 14, 2014, 11:38 AM ORIGINAL PAPER SIZE: 8.5" x 11" V



Facilities Services
Pullman, Wa. 99164-3611
Main Office Ph 509-335-5571 Fax 509-335-6875

CHILLED WATER SCHEMATIC

DETAIL NUMBER

M 33 60 00

TYPE

01

DATE: 01-19-2016

REVISION NO.: 0

1 OF 1